

AC VERTICAL HOLLOW SHAFT MOTORS



THE FEATURES

- Anticlockwise direction of rotation looking fro top of the motor
- KV series are of TEFC construction VH series are of SPDP construction.
- Non-reversible ratchet which prevents the reverse rotation of the motor due to the back flow of water or phase reversal.
- Motors are provided with bearing having ample thrust capacity. Bearings are capable of taking the entire thrust load of the rotor pump shaft assembly & the water column.
- Metallic fans for effective cooling, in shorter cycles.
- A unbake component painting system at controlled atmosphere ensures quality finish, scratch resistance and durability.

THE SPECIFICATION

- Voltage : 415 V + 10% 3 Ph AC
- Frequency : 50 Hz + 5%
- Combined Variation : 10%
- Insulation : F
- Duty : S1 (Continuous)
- Factor of Inertia : 2
- Mounting : IM 3231
- Protection : IP 21 to VH type / IP 55 for KV type
- Enclosure : IC 1 for VH type / IC 0141 for KV type
- Ambient : 450C

WE CAN ALSO SUPPLY

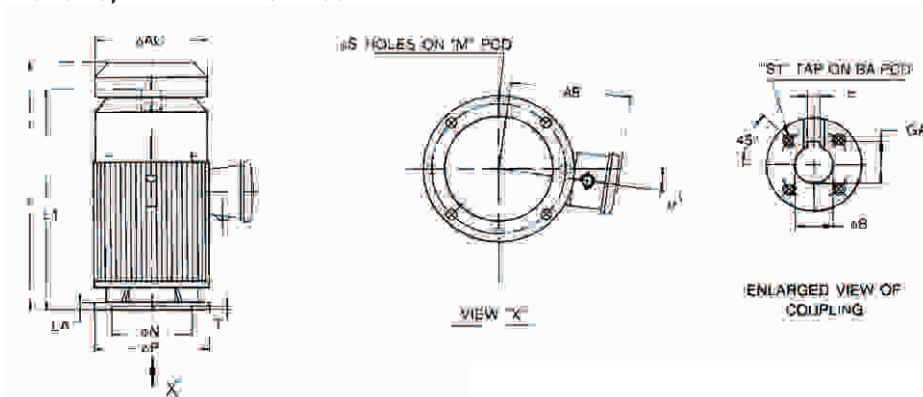
- Supply voltages 220 / 380 / 400 / 440 / 660
- Supply frequency 60Hz.,
- Wide voltage variation upto 20%
- Thermistor & space heater for frame size 180 & above.
- Reversible type motors.
- Non-reversible type with clockwise direction of rotation hen viewed from top of the motor.
- Motors for high inertia pump.

WHEN YOU ORDER, PLEASE FURNISH

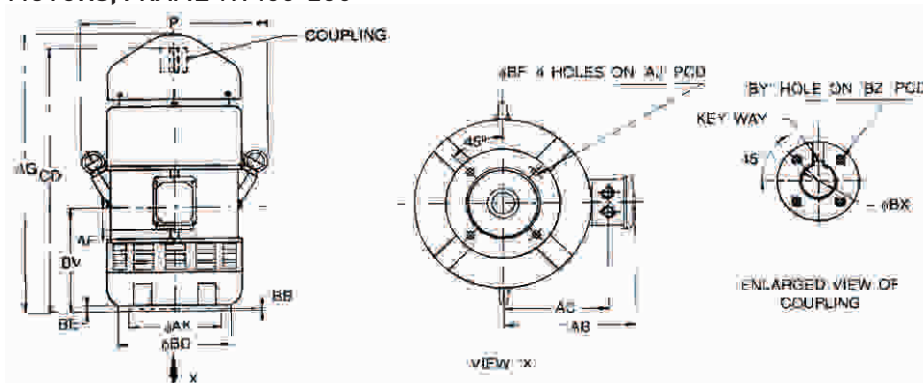
- Direction of Rotation
- Coupling details
- Mounting details
- Duty
- Load GD2
- Non - reversal locking arrangement

COMPLIES TO

- IS : 2254 : Mounting
- G1-18-591 : NEMA
- IS : 325 : Specification for 3 Phase induction motor
- IS : 5362 : Cooling
- IS : 4691 : Protection by Enclosure

FLANGE MOUNTED MOTORS, FRAME KV 132-180


Sl. No.	FRAME	B	F	L	M	N	P	S	T	AB	AC	BA	GA	L1	LA	S1
1	KV 132	19.10 19.08	4.78 4.76	520	232	209.626 209.550	255	11	6	195	260	35	21.59 21.49	470	14	2 BA
2	KV 160	25.47 25.43	6.40 6.35	720	232	209.626 209.550	306	11	6	265	310	35	28.73 28.63	645	15	2 BA
3	KV 180	25.47 25.43	6.40 6.35	805	374.7	343.027 342.900	419	18	7	290	362	45	28.73 28.63	717.5	20	M 5

FLANGE MOUNTED MOTORS, FRAME VH 160-200


Sl. No.	FRAME	P	BD	AK	AG	CD	BE	BB	BF	AJ	AB	BY	BZ	BX	KEY WAY	AC	BV	AF
1	VH 160	440	255	209.626 209.550	710	648	16.5	6.0	11.4	232	3240	2 BA	35	25.47 25.43	6.35 3.18	192	318	80
2	VH 180	605	305	209.626 209.550	975	865	20	7.0	11.0	232	330	2 BA	35	25.47 25.43	6.35 3.16	265	360	102
3	VH 200	605	420	343.027 342.900	1085	955	20	7.0	18.0	375	330	1/4"BSW	44.5	30.20 30.18	6.35 3.18	265	405	102

All dimensions are in millimeters

