

AC VERTICAL HOLLOW SHAFT MOTORS



THE FEATURES

- Anticlockwise direction of rotation looking from top of the motor
- KV series are of TEFC construction VH series are of SPDP construction.
- Non-reversible ratchet which prevents the reverse rotation of the motor due to the back flow of water or phase reversal.
- Motors are provided with bearing having ample thrust capacity. Bearings are capable of taking the entire thrust load of the rotor pump shaft assembly & the water column.
- Metallic fans for effective cooling, in shorter cycles.
- A unibake component painting system at controlled atmosphere ensures quality finish, scratch resistance and durability.

THE SPECIFICATION

- Voltage : 415 V + 10% 3 Ph AC
- Frequency : 50 Hz + 5%
- Combined Variation : 10%
- Insulation : F
- Duty : S1 (Continuous)
- Factor of Inertia : 2
- Mounting : IM 3231
- Protection : IP 21 to VH type / IP 55 for KV type
- Enclosure : IC 1 for VH type / IC 0141 for KV type
- Ambient : 450C

WE CAN ALSO SUPPLY

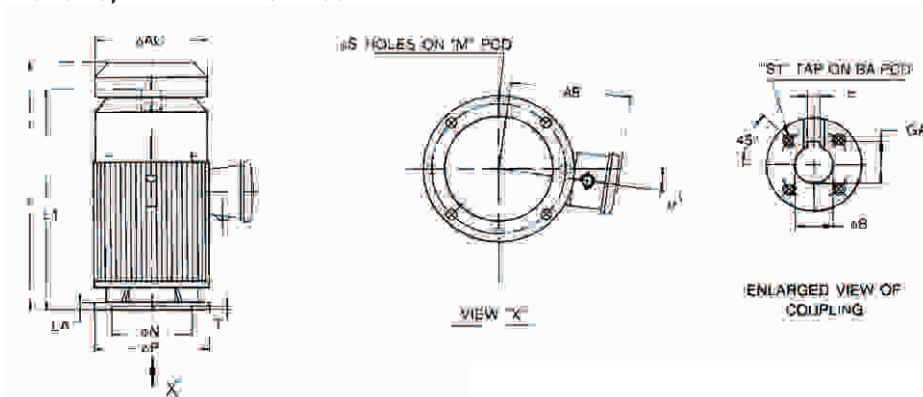
- Supply voltages 220 / 380 / 400 / 440 / 660
- Supply frequency 60Hz.,
- Wide voltage variation upto 20%
- Thermistor & space heater for frame size 180 & above.
- Reversible type motors.
- Non-reversible type with clockwise direction of rotation when viewed from top of the motor.
- Motors for high inertia pump.

WHEN YOU ORDER, PLEASE FURNISH

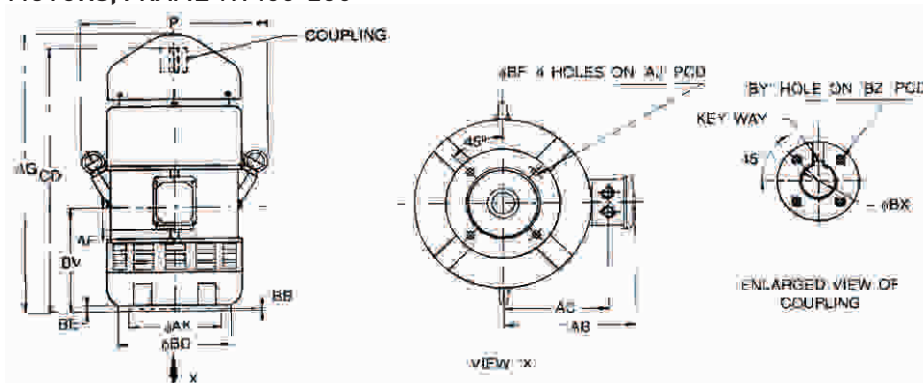
- Direction of Rotation
- Coupling details
- Mounting details
- Duty
- Load GD2
- Non - reversal locking arrangement

COMPLIES TO

- IS : 2254 : Mounting
- G1-18-591 : NEMA
- IS : 325 : Specification for 3 Phase induction motor
- IS : 5362 : Cooling
- IS : 4691 : Protection by Enclosure

FLANGE MOUNTED MOTORS, FRAME KV 132-180


| Sl. No. | FRAME | B | F | L | M | N | P | S | T | AB | AC | BA | GA | L1 | LA | S1 |
|---------|--------|----------------|--------------|-----|-------|--------------------|-----|----|---|-----|-----|----|----------------|-------|----|------|
| 1 | KV 132 | 19.10 19.08 | 4.78 4.76 | 520 | 232 | 209.626 209.550 | 255 | 11 | 6 | 195 | 260 | 35 | 21.59 21.49 | 470 | 14 | 2 BA |
| 2 | KV 160 | 25.47 25.43 | 6.40 6.35 | 720 | 232 | 209.626 209.550 | 306 | 11 | 6 | 265 | 310 | 35 | 28.73 28.63 | 645 | 15 | 2 BA |
| 3 | KV 180 | 25.47 25.43 | 6.40 6.35 | 805 | 374.7 | 343.027 342.900 | 419 | 18 | 7 | 290 | 362 | 45 | 28.73 28.63 | 717.5 | 20 | M 5 |

FLANGE MOUNTED MOTORS, FRAME VH 160-200


| Sl. No. | FRAME | P | BD | AK | AG | CD | BE | BB | BF | AJ | AB | BY | BZ | BX | KEY WAY | AC | BV | AF |
|---------|--------|-----|-----|--------------------|------|-----|------|-----|------|-----|------|---------|------|----------------|-----------|-----|-----|-----|
| 1 | VH 160 | 440 | 255 | 209.626 209.550 | 710 | 648 | 16.5 | 6.0 | 11.4 | 232 | 3240 | 2 BA | 35 | 25.47 25.43 | 6.35 3.18 | 192 | 318 | 80 |
| 2 | VH 180 | 605 | 305 | 209.626 209.550 | 975 | 865 | 20 | 7.0 | 11.0 | 232 | 330 | 2 BA | 35 | 25.47 25.43 | 6.35 3.16 | 265 | 360 | 102 |
| 3 | VH 200 | 605 | 420 | 343.027 342.900 | 1085 | 955 | 20 | 7.0 | 18.0 | 375 | 330 | 1/4"BSW | 44.5 | 30.20 30.18 | 6.35 3.18 | 265 | 405 | 102 |

All dimensions are in millimeters

